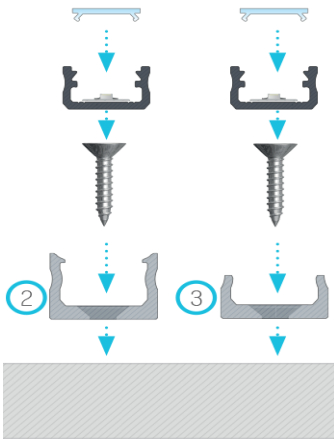




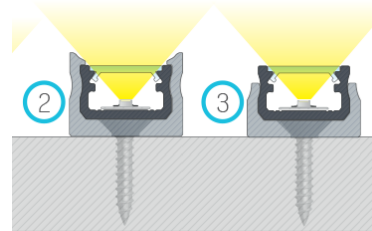
# Installation diagrams

Fig 1



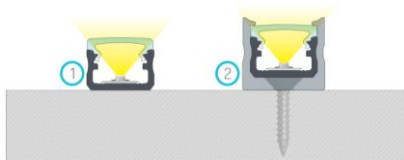
Installation manual for A profile with BASIC cover, (2) with a HIGH mounting clip for A, (3) with a MINI mounting clip for A

Fig 2



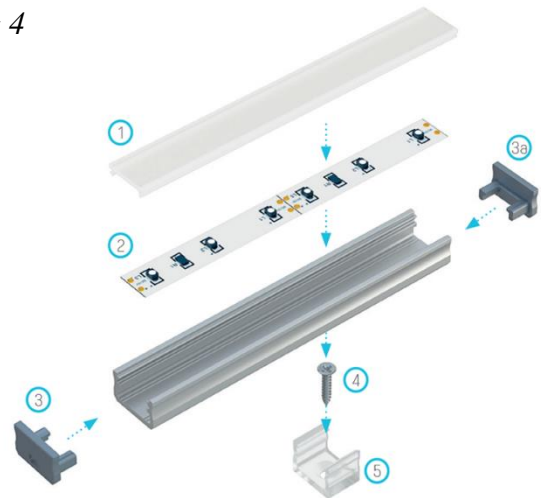
The result of installation of profile A with Milky cover, (2) with a HIGH mounting clip for A, (3) with a MINI mounting clip

Fig 3



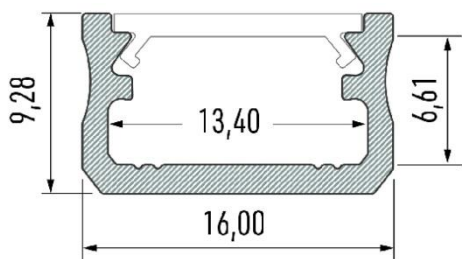
The result of installation of profile A with PMMA cover, (1) with a HIGH mounting clip for A, (2) with a MINI mounting clip

Fig 4



The products that you need:

- Profile
- Strip
- Cover
- End Caps
- Clips



# If required, the profiles can be hung on the ceiling with the Mounting Kits

Fig 5

