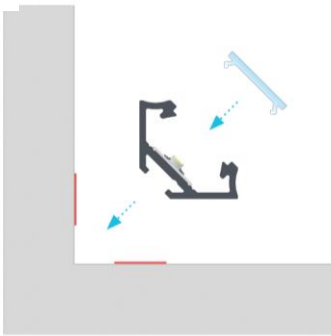




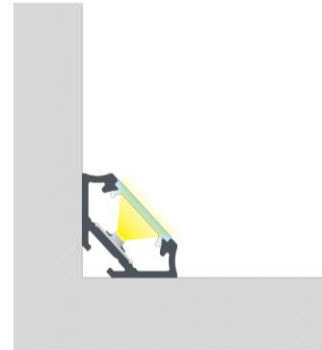
Installation diagrams

Fig 1



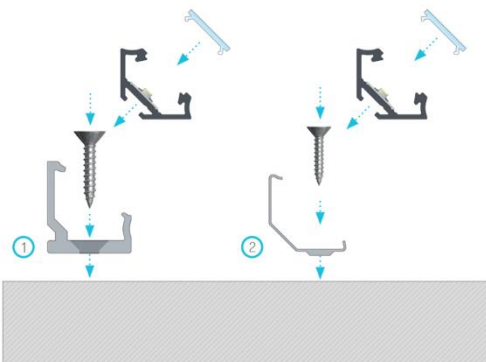
Installation manual for C profile with BASIC cover, using double-sided tape

Fig 2



The result of assembly of corner profile C with a BASIC cover using double-sided tape

Fig 3



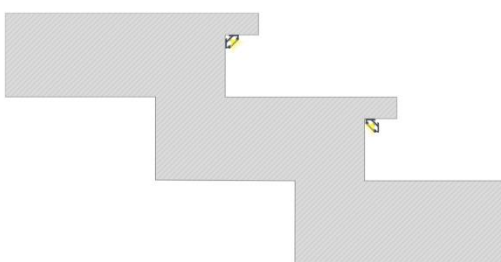
Installation manual for corner C profile with BASIC cover, using plastic mounting clip CH

Fig 4



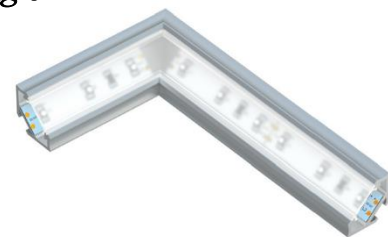
The result of assembly of corner profile C with a BASIC cover using plastic mounting clip CH

Fig 5



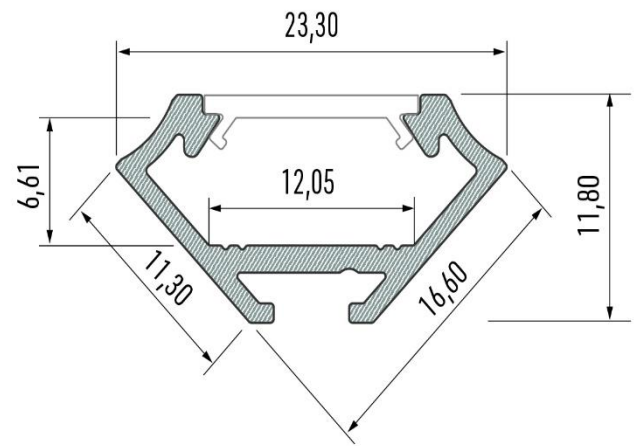
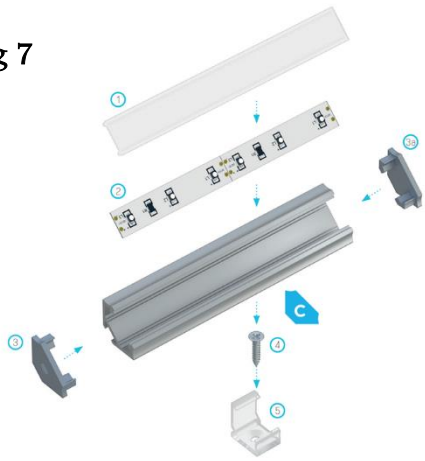
Examples of mounting the profile C on the surface of a step

Fig 6



Connecting profiles C with a BASIC cover at 90°

Fig 7



Assembly scheme for elements of the lighting system using profile C and (1) a BASIC cover, (2) a LED strip, (3) an end cap with hole, (3a) an end cap without hole, (4) a screw, (5) a mounting clip CH